

Operation Manual for the Drummond Pipet-Aid® XL

Catalog Number 4-000-105
4-000-205
4-000-205-A
4-000-205-E

**NEW Smoother,
Quieter Pump**

Made in USA
by



DRUMMOND
SCIENTIFIC COMPANY



LISTED
(LABORATORY EQUIPMENT)
34 HB



Drummond Scientific Co.
500 Parkway
Broomall, PA 19008
800/523-7480 · 610/353-0200
www.pipet-aid.com

Operating Instructions for the Drummond

Statement of Purpose

All Pipet-Aid models are designed to transfer liquids with the use of serological, volumetric and/or blow-out pipets in either glass, plastic or something similar.


Rules for Safe Operation


- For indoor use only.
- Do not attempt to use the charger/power supply with any other product.
DO NOT ATTEMPT TO CHARGE THIS UNIT WITH ANY OTHER CHARGERS
- This product includes rechargeable Ni-MH batteries. Do not incinerate batteries as they may explode at high temperatures.
- Never operate unit in an explosive atmosphere.
- Expelling liquid from a pipet generates aerosols. The faster the liquid is expelled, the more aerosols are generated. Understand the nature of the liquid being pipetted and take appropriate precautions.
- Do not operate unit with a damaged cord.
- Use charger only in a standard electrical outlet.
- Do not handle power supply with wet hands.
- Do not put unit or charger in water or other liquid.
- Pipetting acids or strong alkalis will damage unit.
- When servicing, use only identical Drummond replacement parts.
- Save these instructions.

If the equipment is used in a manner not specified by the manufacturer, the protection provided by the equipment may be impaired. Always use the charger or power supply that is supplied with the unit.

Connections to Power Supply:

Check the power supply to see that the line voltage corresponds to the voltage indicated on the mains adapter.

 If the mains adapter supply and the line voltage are not compatible, the electrical components of the Pipet-Aid may be damaged or destroyed.

 Before each use, confirm that the mains adapter cable is not damaged, worn or severely buckled and there are no breaks in the insulating surface. If any damage is noted, do not use the Pipet-Aid until the damaged mains is replaced.

Specifications for Usage

This equipment is for indoor use only.

Temperature Range 10°C–35°C, Maximum Humidity 60%

For use with pipets from 1 mL to 100 mL

FAILURE TO USE THE EQUIPMENT IN ACCORDANCE WITH INSTRUCTIONS OR MODIFYING THE EQUIPMENT WILL VOID WARRANTIES.

CAUTION:CAREFULLY READ THROUGH THIS ENTIRE MANUAL BEFORE USING YOUR NEW PIPET-AID XL. PAY CLOSE ATTENTION TO THE RULES FOR SAFE OPERATION WARNINGS AND CAUTIONS.

Pipet-Aid®XL

Features

The Pipet-Aid®XL incorporates several new features. The new lightweight ergonomic handle is designed to reduce neck, shoulder, and arm fatigue when pipetting under a hood. A new powerful pump improves fluid movement and reduces noise level. Individual speed controls are provided for both aspirate and dispense modes. A green LED indicates battery is charging and the unit can be charged while in use. The new EZ Grip nosepiece makes filter replacement easy and the new nosepiece lock will prevent accidental removal. An adjustable sliding hand rest is provided along with a removable stand and a wall mount holster.

The Drummond Pipet-Aid®XL is covered under the following U.S. Patents, and other foreign and US patents pending. #5,294,405, #5,214,968, #5,616,871

Pipetting Instructions

Insert a pipet into the nosepiece by twisting the pipet while pushing. Exercise extreme caution when using glass pipets as breakage is an ever present danger. Depressing the top button fills the pipet, depressing the bottom button empties it. The flow rate is proportional to the amount the button is depressed.

Speed Controls

Each button has three speeds: “**F**”fast, “**M**”medium, and “**S**”slow. The speed is selected by rotating the button on its axis until a detent is felt; the speed chosen is visible when the handle is held in the right hand. The “**M**” corresponds to the speed of previous Pipet-Aids. Fast is to be used for rapid filling of large pipets or breaking up cell clumps. Slow speed should be used for small pipets or where precise delivery is required. Please note that each button can be set independently. For example, one could fill a large pipet on “**F**”and deliver small amounts on “**S**”

CAUTION: SPEED CONTROL BUTTONS MUST BE POSITIONED ON “F”, “M”, OR “S”. INTERMEDIATE SETTING WILL CAUSE LEAKAGE. ALSO, DO NOT CHANGE SPEED CONTROL BUTTONS WITH FLUID IN THE PIPET. THIS WILL ALSO CAUSE THE UNIT TO LEAK.

Filter

The XL incorporates a new EZ Grip, tissue culture nosepiece (2), which features a unique filter element. The self-locking TC filter (4-000-051) will cease to pass air in either direction when it becomes wet, alerting the user to possible contamination of the rubber insert.

NOTE: IF THE PUMP PULSES WHEN THE FILL BUTTON IS DEPRESSED, THE FILTER HAS BEEN COMPROMISED AND MUST BE REPLACED. REPLACE WITH FILTER NUMBER 4-000-051. Sterile filters are available (4-000-051-S)

To remove the filter (4), push in the nosepiece release (7), turn the EZ Grip nosepiece (2) 1/4 turn counterclockwise and pull down. Replace the filter, making sure both TC gaskets (5) are placed on the new filter and making sure the rubber insert (3) (4-000-002) is clean and dry and does not contain any cotton plugs.

Instructions for Cleaning

Wiping the unit with a soft cloth or wipe with isopropyl alcohol is sufficient to clean the unit. Avoid the use of acetone and other organic solvents which will damage the handle.

All components inside the nosepiece may be autoclaved with the exception of the Drummond Self-locking Filter. Replace the filter when compromised.

STOP Always disconnect the charger/power supply from the unit when cleaning.

Battery

The XL is powered by a 3.6V, nickel-metal hydride (Ni-MH), rechargeable battery (14) (catalog number: 4-000-036). *It is not the same battery used in our other Portable Pipet-Aids®.*

Battery replacement is a user function. Although the batteries are rechargeable, they have a limited life span of generally 2-3 years or 1000 cycles. To replace the battery, remove the nosepiece, remove the hand rest by prying off, unscrew the 4 Phillips screws, lay the unit down on the bench with the screw holes up, open up the unit carefully, unplug the old battery, and replace with a new battery. Batteries are available from your local lab equipment supplier or direct from Drummond Scientific Company.*

Charging the Battery

IMPORTANT-BATTERY SHOULD BE CHARGED FOR A MINIMUM OF SIX HOURS BEFORE INITIAL USE.

When not in use, plug in the charger/power supply and let charge overnight. The GREEN LED will light up when charging.

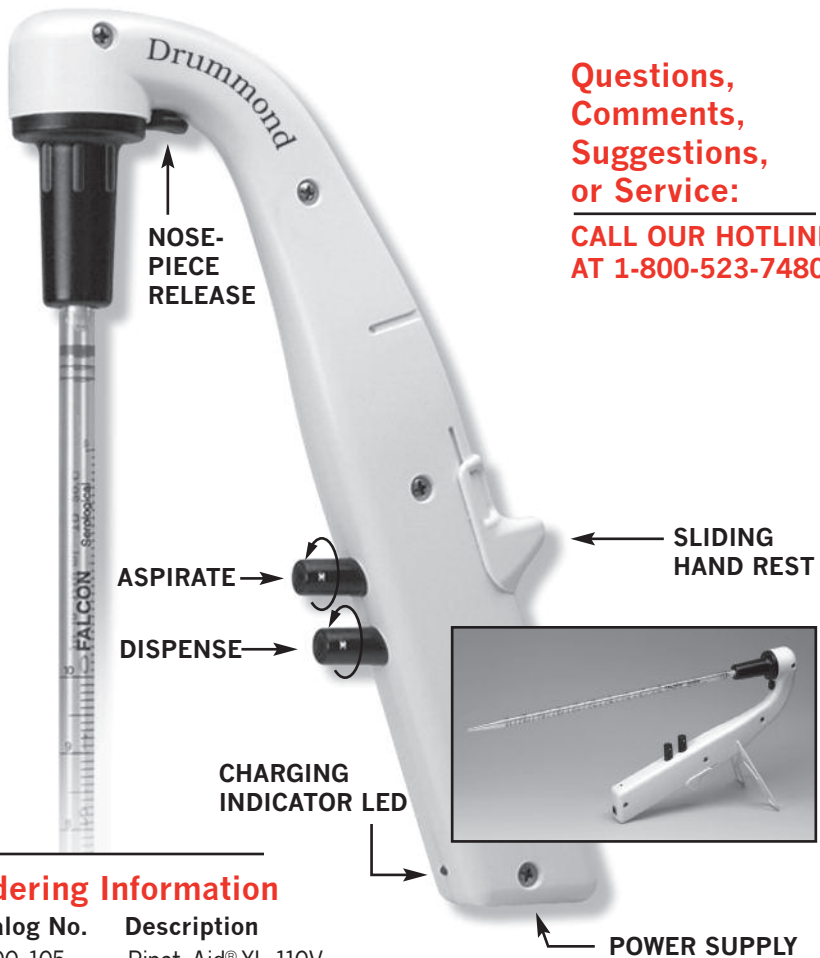
The green LED will remain on as long as the charger is plugged into the unit. An internal circuit will prevent overcharging.

NOTE: DO NOT USE ANY CHARGER OTHER THAN THE ONE SUPPLIED (4-000-065). THIS UNIT IS NOT COMPATIBLE WITH OTHER DRUMMOND CHARGERS. ALTHOUGH MANY OTHER CHARGERS WILL FIT INTO THE UNIT, CHARGING WILL NOT OCCUR OR DAMAGE TO THE BATTERY WILL RESULT.

While using the unit and the battery charge becomes insufficient to operate the unit, plug in the charger and continue using the unit. Charging will take place while in use. The charger also functions as a power supply.

All rechargeable batteries have a limited life span. Generally each battery will last approximately 1000 cycles (charges) and then must be replaced. Replacement is a user function and will require a Phillips head screwdriver, a new battery (4-000-036), and about two minutes of your time. (See above)

*Use only recommended battery for replacement (DSC #4-000-036). Do not replace the battery with a non-rechargeable battery. Explosion or fire hazard can occur if incorrect battery replacement is used.



**Questions,
Comments,
Suggestions,
or Service:**

**CALL OUR HOTLINE
AT 1-800-523-7480**

Ordering Information

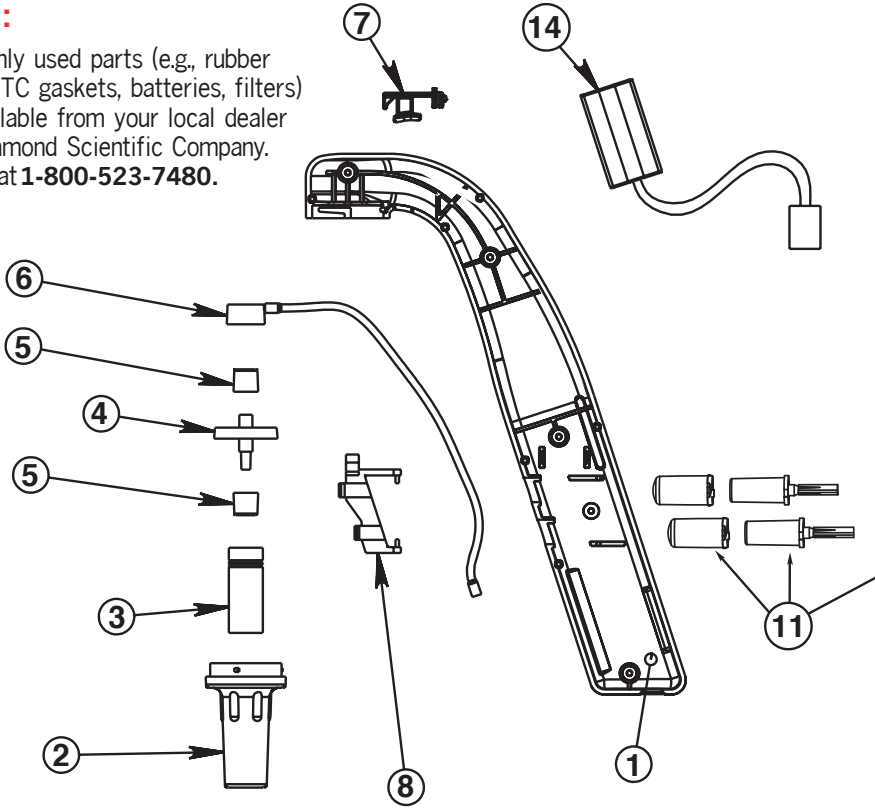
Catalog No.	Description
4-000-105	Pipet-Aid® XL 110V
4-000-065	Power Supply/Charger, Input: 120V, 60Hz, 55mA Output: 6VDC, 200mA
4-000-205	Pipet-Aid® XL 230V, International
4-000-066	European Power Supply/Charger, Input: 230V, 50Hz, 55mA Output: DC6V, 200mA
4-000-205-E	Pipet-Aid® XL 240V, UK
4-000-066-E	UK Power Supply/Charger, Input: 240V, 50Hz, 55mA Output: DC6V, 200mA
4-000-205-A	Pipet-Aid® XL 240V, Australia
4-000-066-A	Australian Power Supply/Charger, Input: 240V, 50Hz, 55mA Output: 6VDC, 300mA

Specifications

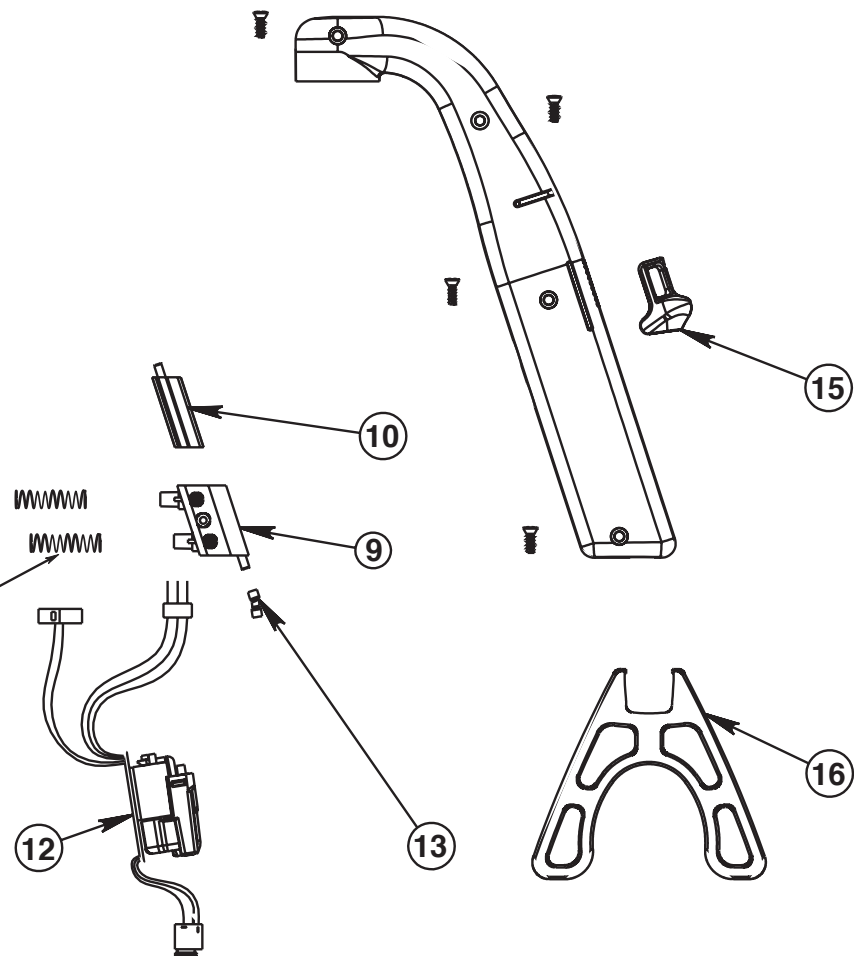
Size 10"
 Weight 8 oz.
 Capacity Accepts 1 to 100 mL pipets
 Battery 3.6V/800 mAh

Parts:

Commonly used parts (e.g., rubber inserts, TC gaskets, batteries, filters) are available from your local dealer or Drummond Scientific Company. Call us at **1-800-523-7480**.



	Catalog No.	Parts Description
[1]	4-000-067	XL Handle Shell
[2]	4-000-079	EZ Grip Nosepiece
[3]	4-000-002	Rubber Insert (2/pk)
[4]	4-000-051	Self-locking Filter (5/pk)
	4-000-051-S	Self-locking Filter, Sterile (5/pk)
[5]	4-000-057	TC Gasket Pair
[6]	4-000-063	Handle Connector XL
[7]	4-000-064	Nosepiece Release XL
[8]	4-000-072	Switch Operator XP/XL
[9]	4-000-073	Valve Body XP/XL (complete w/buttons and springs)
[10]		Valve Body Slide (yellow) included with [9]
[11]	4-000-070	Button Assembly XP/XL includes springs
[12]	4-000-061	Pump, board, wire harness



	Catalog No.	Parts Description
[13]		Pump/Valve body connecting tubing included w/pump
[14]	4-000-036	Battery Pack (XL only)
[15]	4-000-062	Hand Rest
[16]	4-000-068	XL Stand, removable
[Not Shown]	4-000-065	Power Supply/Charger, Input: 120V, 60Hz, 55mA Output: 6VDC, 200mA
	4-000-066	European Power Supply/Charger, Input: 230V, 50Hz, 55mA Output: DC6V, 200mA
	4-000-066-A	Australian Power Supply/Charger, Input: 240V, 50Hz, Output: 6VDC, 300mA
	4-000-066-E	UK Power Supply/Charger, Input: 240V, 50Hz, 55mA Output: DC6V, 200mA
[Not Shown]	4-000-087	TC Nosepiece Kit with 4 Filters
[Not Shown]	4-000-089	Pipet-Aid Holster-Type Wall Bracket

Maintenance and Servicing

Keep your Pipet-Aid clean and charged at all times. When not in use, it is appropriate to keep the unit plugged into the charger. No damage will occur if you are using the charger supplied.

Drummond Self-locking Filters are provided with all models that use filters. Replacement part numbers are:

4-000-051	5 pk	4-000-051-S	5 pk, sterile
4-000-052	50 pk	4-000-052-S	50 pk, sterile

These filters must be replaced if over-pipetting occurs. They protect the handle components as well as minimize cross contamination of samples and contain two membrane layers.

On some models, (XP² and XL) if the battery charge becomes insufficient to operate the unit, plug in the charger and continue using the unit. Charging will take place while in use. The charger supplied with these two units function as a power supply.

All rechargeable batteries have a limited life span; generally each battery will last 1,000 cycles (charges) and then must be replaced. Battery replacement is a user function and will not require any special tools; a Phillips screwdriver is all you will need.

Battery Specifications – Pipet-Aid[®]XL

Cat. No.	Rating
4-000-036	3.6V/800 mAh.



DRUMMOND
SCIENTIFIC COMPANY

500 Parkway, Box 700
Broomall, PA 19008
800/523-7480 · FAX: 610/353-6204
Website: www.drummondsci.com

For Technical Assistance, call
1-800-523-7480 or e-mail
info@drummondsci.com