

P75 Plain Mylar Wrapped SAFECAP® Capillary Tubes, with SafePlug™ self-sealing plug (3.2 mm length) color coded (blue) for identification, fire polished on the sample collection end and flared and fire polished on the plug end; 75 mm length, 1.1 - 1.2 mm I.D. 0.2 mm wall, 0.02 mm taper.

R60 Precalibrated Mylar Wrapped (heparinized) SAFECAP® Capillary Tubes, with SafePlug™ self-sealing plug (3.2 mm length). For use with direct reading centrifuges; calibration mark coded (black) for identification, fire polished on the sample collection end and flared and fire polished on the plug end; contain a minimum of 2.0 U.S.P. units of ammonium heparin per tube; 75 mm length, 1.1 - 1.2 mm I.D. 0.2 mm wall, 0.02 mm taper.

References: National Committee for Clinical Laboratory Standards, Procedure for determining Packed Cell Volume by the Microhematocrit Method: Approved Standard H7-A (1985)
*MYLAR is a product of duPont de Nemours & Co., Inc.

Ordering information: SAFECAP® Self-Sealing Mylar Wrapped Capillary Tubes

Heparinized Mylar Wrapped		
2000 tubes	20 vials/100vial	H75-2000M
Plain Mylar Wrapped		
2000 tubes	20 vials/100 vial	P75-2000M
Precalibrated Mylar Wrapped		
2000 tubes	20 vials/100 vial	R60-2000M
Capillary Tube Organizer		
	Package of 6	CTO-10



1-800-523-7480 or 610-353-0200
Drummondsci.com

SAFECAP®

Self-Sealing

Mylar Wrapped

Capillary Tubes

H75 - Heparinized Mylar* Wrapped
P75 - Plain Mylar* Wrapped
R60 - Precalibrated Mylar* Wrapped
Store at room temperature
US Patent No. 5,065,768

Dirty or defective centrifuge rotor gaskets cause "blow - outs" and sample leakage.

Replace centrifuge gasket (s). Starting with a clean and properly working centrifuge provides exceptional reliability when using SAFECAP® tubes.



500 Parkway
Broomall, PA 19008

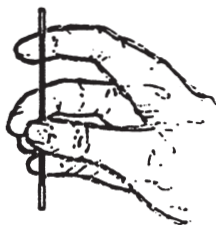
Made in the U.S.A.

Procedure

1. **Fill capillary tube with blood from opposite end of self-sealing plug.** With Heparinized Mylar Wrapped Tubes, fill with at least 55 mm to 60 mm of blood. With Precalibrated Mylar Wrapped Tubes, fill to calibrated line. Wipe outside of tube with lint-free tissue to remove any blood.



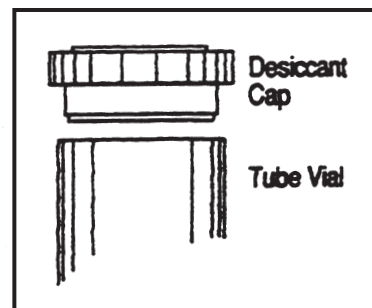
2. **Hold tube vertically, plug end down, or insert tube into organizer tray.** Allow blood to contact self-sealing plug for at least 15 seconds (Angle head centrifuges 30 seconds) **Note:** Failure to follow this step may result in leakage of sample while centrifuging.



3. **Place blood-filled tube into centrifuge according to operator's manual.** Always place sealed end toward the periphery.
4. **Centrifuge for time recommended in operator's manual.** Read results.

Storage and Stability

Vials of SAFECAP® tubes use a moisture absorbing desiccant cap to protect the self-sealing plug material. Moisture can impair capillary action of the tubes while filling. Keep tubes capped and sealed in their vials when not in use.



Store tubes at room temperature.

If normal filling of tubes is impaired by exposure to moist air, reseal the vial with the desiccant cap and allow 24 hours before reusing. The cap will dry the tubes and restore normal filling.

Shelf life 24 months.

Caution

Blood specimens may contain Hepatitis B or C virus or human immunodeficiency virus (HIV) and must be handled as potential biohazards.

Product Numbers and Descriptions

H75 Heparinized Mylar Wrapped SAFECAP® Capillary Tubes, with SafePlug™ self-sealing plug (3.2 mm length) color coded (red) for identification, fire polished on the sample collection end and flared and fire polished on the plug end; contain a minimum of 2.0 U.S.P. units of ammonium heparin per tube; 75 mm length, 1.1 - 1.2 mm I.D. 0.2 mm wall, 0.02 mm taper.